

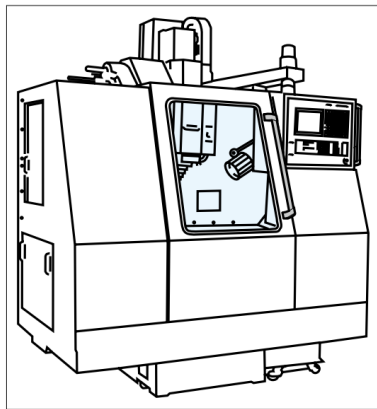
GMDH Design Door Handle

Features

- Two types of brackets available: In-line type and offset type
- Brackets and pipes can be combined freely
- Pipes are made of stainless steel or carbon fibre reinforced plastic, with 5 pipe length options. Other desired lengths can be achieved by cutting the pipe
- Carbon fibre reinforced plastic pipes are subject to UV-cut treatment to prevent discoloration. These carbon fibre reinforced plastic pipes are lightweight, high-strength, and are of a unique and high quality texture and high-quality feeling
- Latch handle with latch **GMDHL** also available

Notes

- Brackets (sold in pairs) and pipes are sold separately



Fixing Part

Attached to the bracket

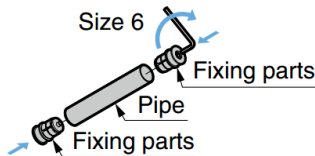


Brackets



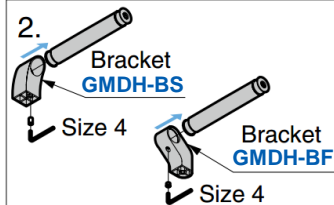
1.

Appropriate screw tightening torque:
12.5 N · m (127 kgf · cm)



Insert the fixing parts (attached to the bracket) into both ends of the pipe until their flanges contact the pipe ends, and then tighten the screws with a hex key size 6 (not included).

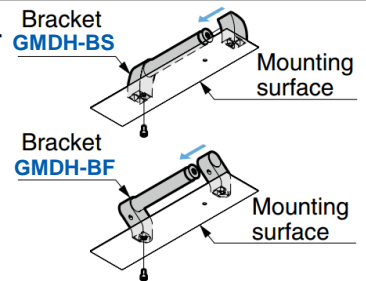
2.



Appropriate set screw tightening torque
12.5 N · m (127 kgf · cm)
※Please use screw adhesive.

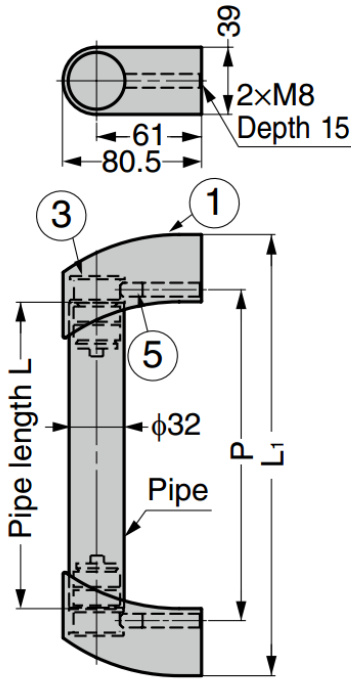
Insert one bracket into the pipe, and tighten the set screws (attached to the bracket) with a hex key size 4 (not included).

3.

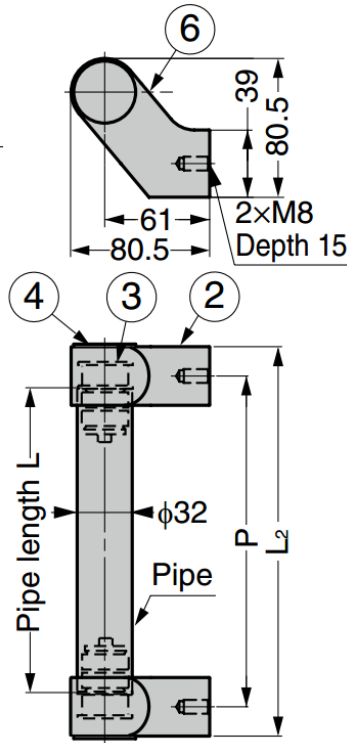


Install one bracket to the mounting surface with M8 screws (not included). Install the other bracket in the same procedure after being preliminarily assembled.

Bracket GMDH-BS
(In-line type)



Bracket GMDH-BF
(Offset type)



No.	Part Name	Material	Finish/Colour
①	Bracket (Straight)	Zinc Alloy (ZDC)	Matte
②	Bracket (Offset)		Chrome
③	Fixing Parts		Plain
④	Cover	POM	Black
⑤	Hexagon Socket Set Screw M8 x 15	Stainless	Plain
⑥	Hexagon Socket Set Screw M8 x 8	Steel	

Bracket

Part No.	Type	Parts
GMDH-BS	In-Line	① ③ ⑤ (Each 2 pcs)
GMDH-BF	Offset	② ③ ④ ⑥ (Each 2 pcs)

Pipe

Part No.	Material	Finish	Pipe Length L	L ₁	L ₂	P	Pipe Thickness	Load Capacity	
GMDH-PS192	Stainless Steel 304	Satin	177	256	226	192	2	490 N	50 kg
GMDH-PS350			355	414	384	350			
GMDH-PS500			485	564	534	500			
GMDH-PS800			785	864	834	800			
GMDH-PS1200			1185	1264	1234	1200			
GMDH-PC192	Carbon Fibre Reinforced Polymer	Paint / Clear	177	256	226	192	2.5	490 N	50 kg
GMDH-PC350			355	414	384	350			
GMDH-PC500			485	564	534	500			
GMDH-PC800			785	864	834	800			
GMDH-PC1200			1185	1264	1234	1200			